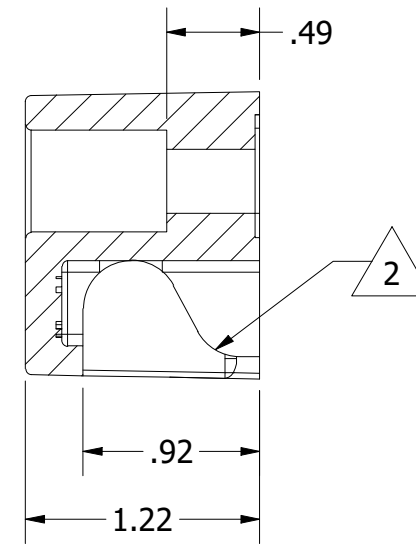
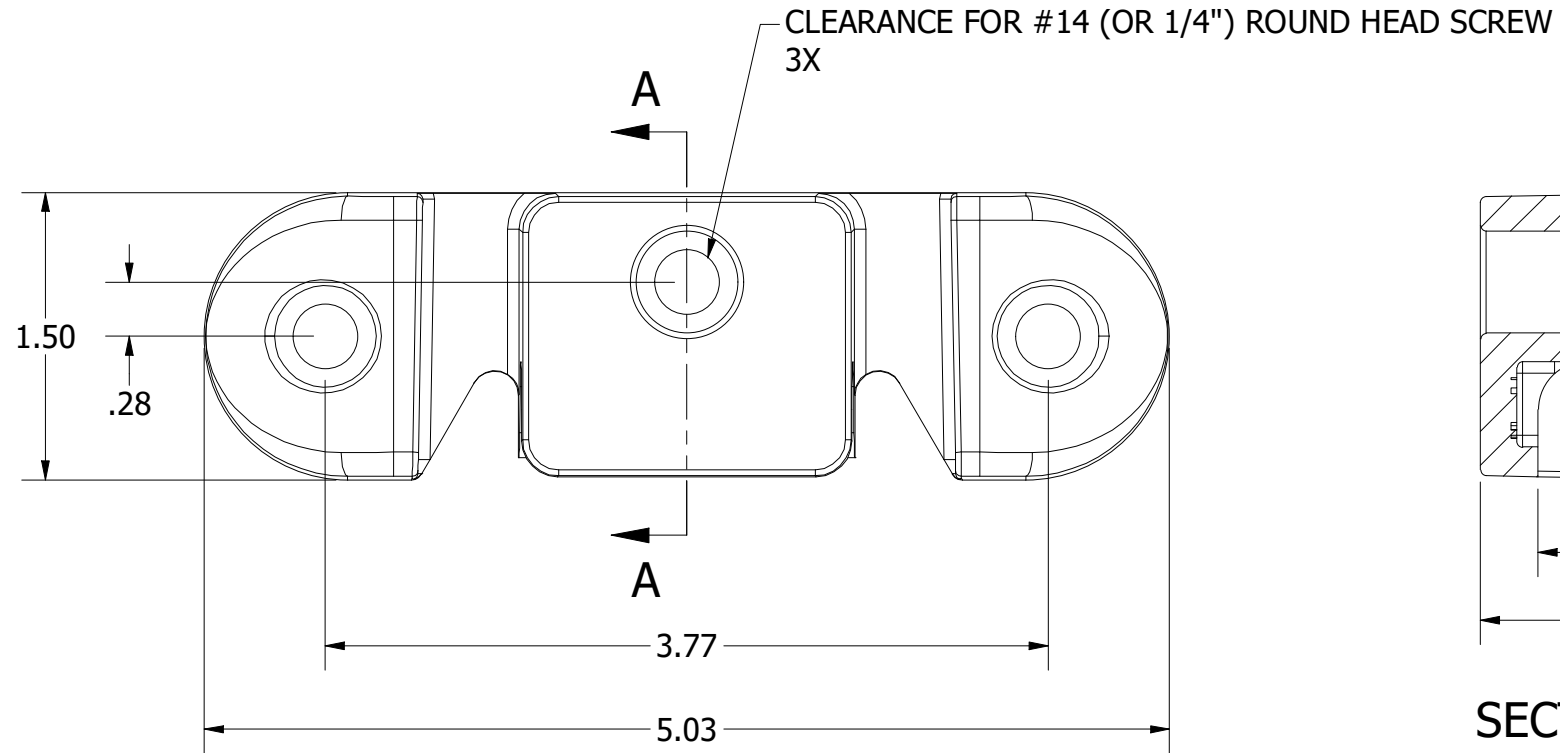


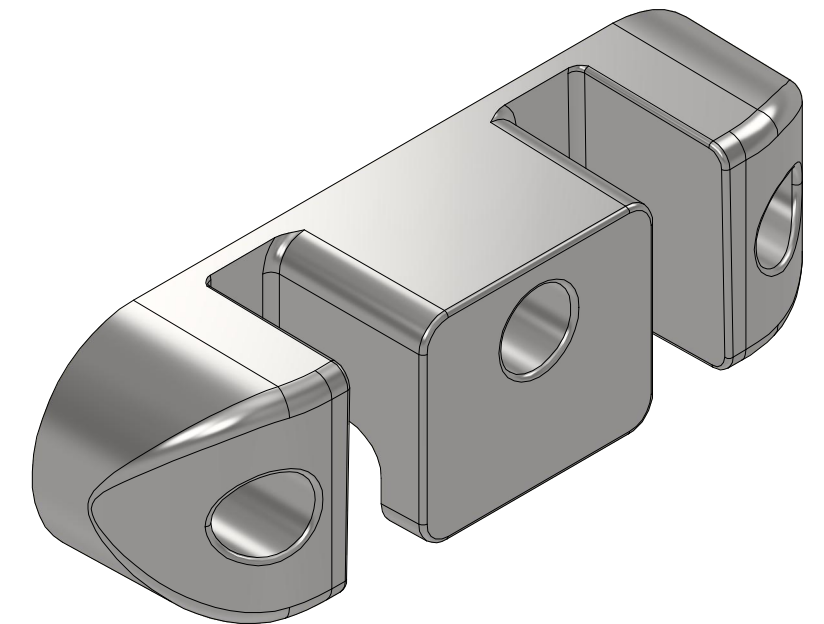
NOTES:

1. MATERIAL: 316 SS
2. FINISH: HIGH POLISH

REVISION HISTORY		
REV	DESCRIPTION	DATE
1	SURFACE DRAFT UPDATE	10/15/21
2	ADD STABILIZER GUIDE ECN1011	6/6/24



SECTION A-A



**WHITE WATER**  
MARINE HARDWARE

TITLE  
MOUNT BLOCK FOR VERTICAL SILL, WIDE  
PART NUMBER: AMB9

<b>PROPRIETARY AND CONFIDENTIAL</b> THE INFORMATION CONTAINED IN THIS DRAWING IS THE SOLE PROPERTY OF WHITE WATER MARINE HARDWARE. ANY REPRODUCTION IN PART OR AS A WHOLE WITHOUT WRITTEN PERMISSION IS PROHIBITED.	SIZE	DRAWING NO.			REV				
	B	WWMH-AMB9			2				
	SCALE	1 : 1	DRAWN	KSR	DATE	9/30/2021	SHEET	1	OF