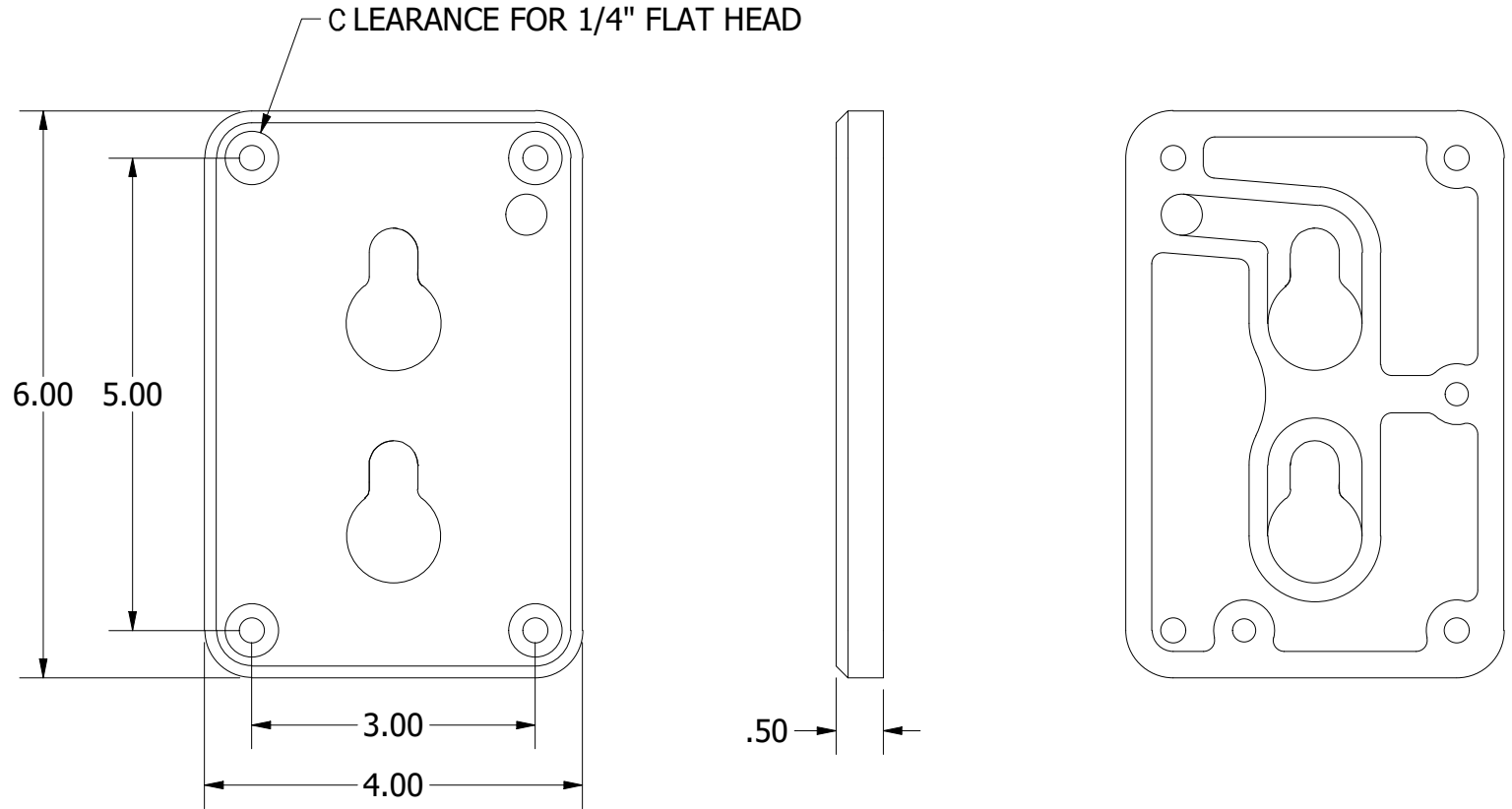


NOTES:

1. MATERIAL: 316SS
2. FINISH: HIGH POLISH
3. FOR USE WITH AM1504PL



WHITE WATER
MARINE HARDWARE

TITLE
MOUNTING PLATE FOR FLOOR - TOP MOUNT
PART NUMBER: AMB8 (RD70)

PROPRIETARY AND CONFIDENTIAL
THE INFORMATION CONTAINED IN THIS DRAWING IS THE SOLE PROPERTY OF WHITE WATER MARINE HARDWARE. ANY REPRODUCTION IN PART OR AS A WHOLE WITHOUT WRITTEN PERMISSION IS PROHIBITED.

SIZE A	DRAWING NO. WWMH-AMB8 CC	REV 0
SCALE 1 : 2	DRAWN KSR	DATE 10/8/2021
		SHEET 1 OF 1