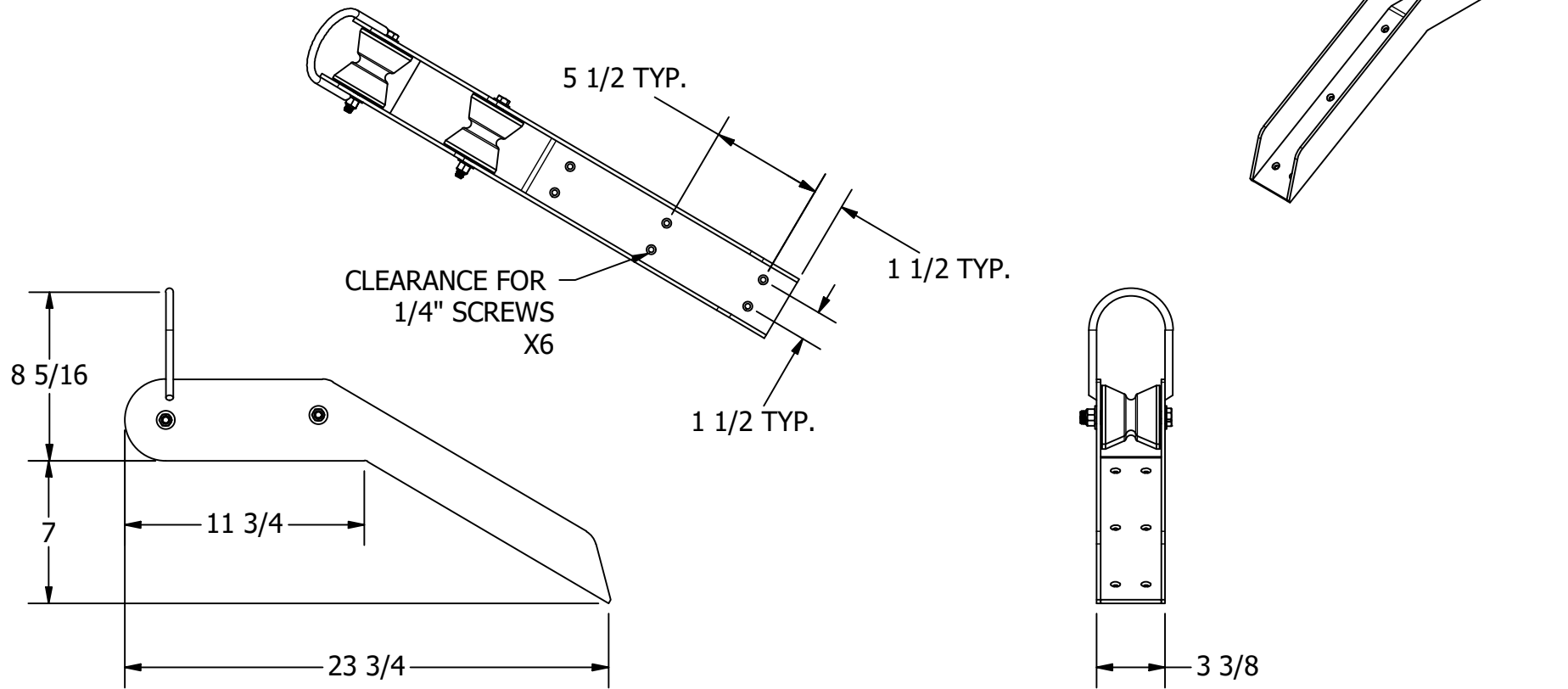


NOTES  
 304 STAINLESS STEEL  
 FINISH: HIGH POLISH

# FOR REFERENCE ONLY



UNLESS OTHERWISE SPECIFIED:  
 BREAK ALL SHARP EDGES  
 DIMENSIONS ARE IN INCHES  
 TOLERANCES:  
 FRACTIONAL:  $\pm 1/16$   
 DECIMAL: X.X  $\pm .05$   
           X.XX  $\pm .01$   
           X.XXX  $\pm .005$   
 ANGULAR:  $\pm 1^\circ$   
 FINISH: 120Ra



TITLE  
**HEAVY DUTY PLATFORM ANCHOR ROLLER**  
 PART NUMBER: ARSC-03

**PROPRIETARY AND CONFIDENTIAL**  
 THE INFORMATION CONTAINED IN THIS  
 DRAWING IS THE SOLE PROPERTY OF WHITE  
 WATER MARINE HARDWARE. ANY REPRODUCTION  
 IN PART OR AS A WHOLE WITHOUT WRITTEN  
 PERMISSION IS PROHIBITED.

SIZE <b>A</b>	DRAWING NO. <b>WWMH-ARSC-03</b>	REV <b>0</b>
SCALE <b>1/8</b>	DRAWN <b>RC</b>	DATE <b>2/28/2025</b>
		SHEET <b>1</b> OF <b>1</b>