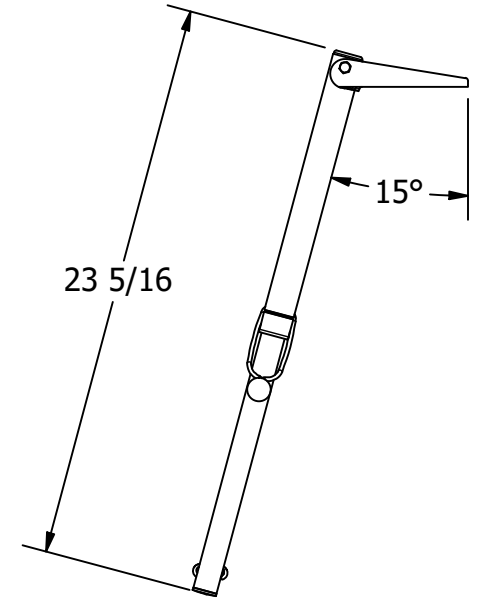
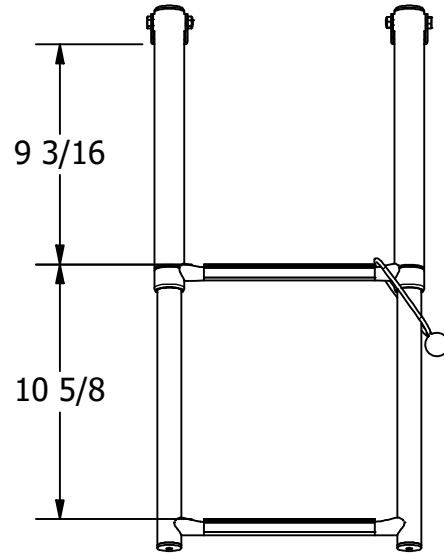
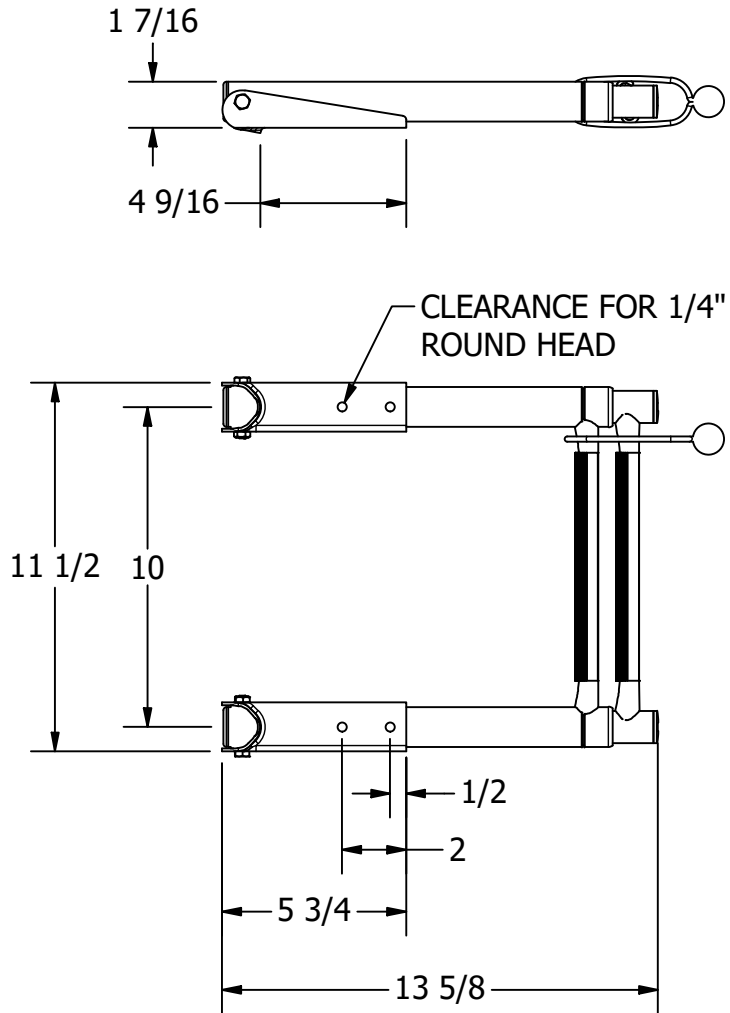


NOTES  
 304 STAINLESS STEEL  
 HIGH POLISH FINISH

# FOR REFERENCE ONLY



UNLESS OTHERWISE SPECIFIED:  
 BREAK ALL SHARP EDGES  
 DIMENSIONS ARE IN INCHES  
 TOLERANCES:  
 FRACTIONAL:  $\pm 1/16$   
 DECIMAL: X.X  $\pm .05$   
           X.XX  $\pm .03$   
           X.XXX  $\pm .010$   
 ANGULAR:  $\pm 3^\circ$   
 FINISH: 120Ra



TITLE  
 OVER PLATFORM LADDER, 2 STEP  
 PART NUMBER: B003011R

**PROPRIETARY AND CONFIDENTIAL**  
 THE INFORMATION CONTAINED IN THIS  
 DRAWING IS THE SOLE PROPERTY OF WHITE  
 WATER MARINE HARDWARE. ANY REPRODUCTION  
 IN PART OR AS A WHOLE WITHOUT WRITTEN  
 PERMISSION IS PROHIBITED.

SIZE A	DRAWING NO. WWMH-B00311R	REV 0
SCALE 1/6	DRAWN RC	DATE 8/5/2025
		SHEET 1 OF 1