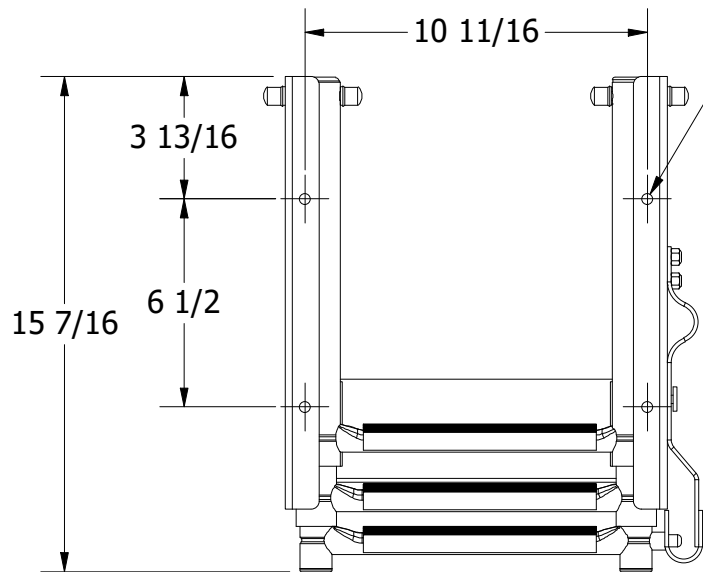
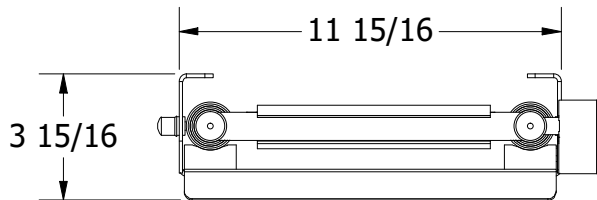
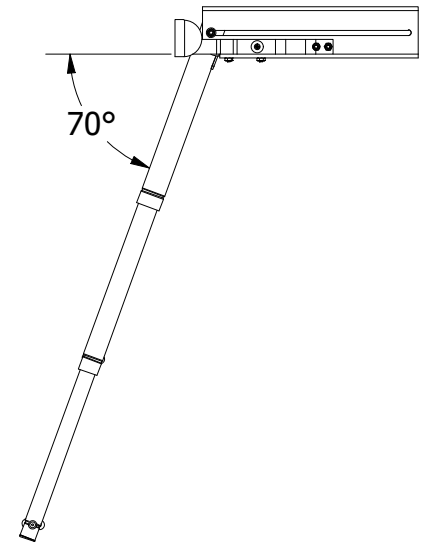
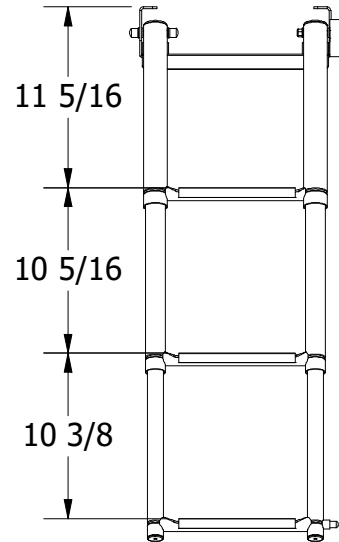


REVISION HISTORY		
REV	DESCRIPTION	DATE
1	ADD 1/4" RADIUS ECN1014	7/26/24



CLEARANCE FOR 5/16 FASTENER
X4



DEPLOYED VIEW
SCALE 1 : 12



TITLE
 UNDER PLAT. TELESCOPING LDR W/ QUICK RELEASE
 PART NUMBER: B00301USL

PROPRIETARY AND CONFIDENTIAL
 THE INFORMATION CONTAINED IN THIS
 DRAWING IS THE SOLE PROPERTY OF WHITE
 WATER MARINE HARDWARE. ANY REPRODUCTION
 IN PART OR AS A WHOLE WITHOUT WRITTEN
 PERMISSION IS PROHIBITED.

SIZE A	DRAWING NO. WWMH-B00301USL CC	REV 1
SCALE 1 : 6	DRAWN KSR	DATE 7/19/2021
		SHEET 1 OF 1