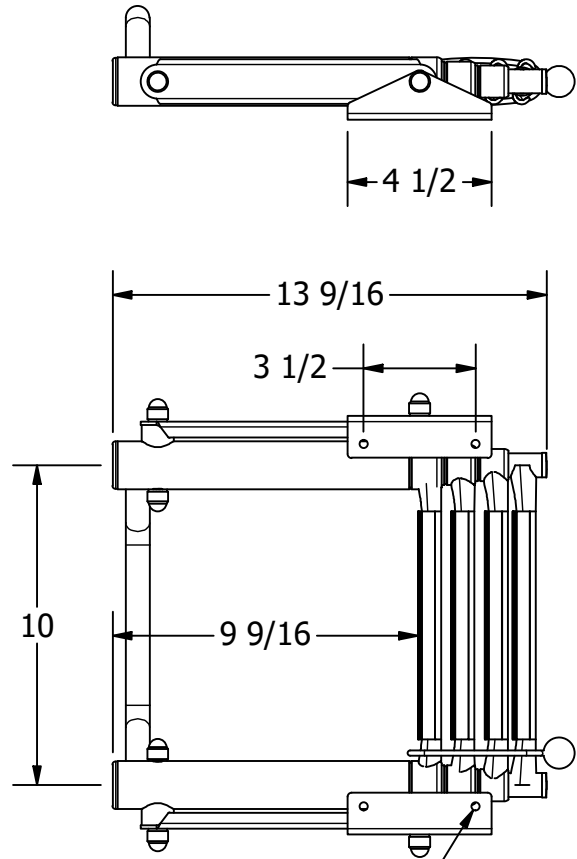
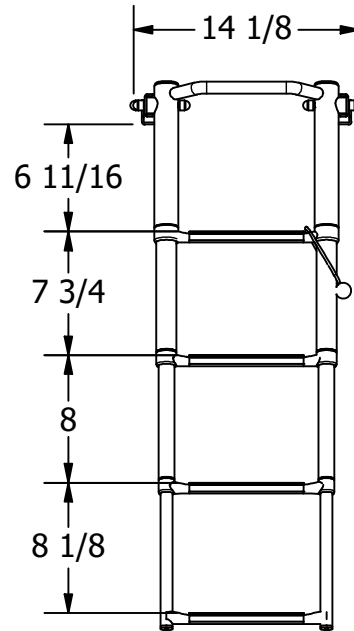


NOTE:  
304 STAINLESS STEEL TUBING  
HIGH POLISH FINISH

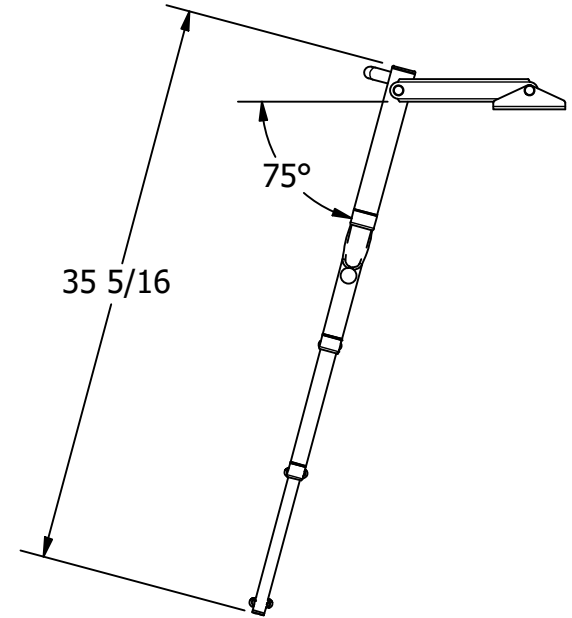
# FOR REFERENCE ONLY



**STOWED**  
SCALE 1/6



**DEPLOYED**  
SCALE 1/12



CLEARANCE FOR  
1/4" OR #16 FASTENER  
X4

UNLESS OTHERWISE SPECIFIED:  
BREAK ALL SHARP EDGES  
DIMENSIONS ARE IN INCHES  
TOLERANCES:  
FRACTIONAL:  $\pm 1/16$   
DECIMAL: X.X  $\pm .05$   
          X.XX  $\pm .01$   
          X.XXX  $\pm .005$   
ANGULAR:  $\pm 1^\circ$   
FINISH: 120Ra

**PROPRIETARY AND CONFIDENTIAL**  
THE INFORMATION CONTAINED IN THIS  
DRAWING IS THE SOLE PROPERTY OF WHITE  
WATER MARINE HARDWARE. ANY REPRODUCTION  
IN PART OR AS A WHOLE WITHOUT WRITTEN  
PERMISSION IS PROHIBITED.



**WHITE WATER**  
MARINE HARDWARE

TITLE  
**FOLD OUT W/ GRAB RAIL OVER PLATFORM LADDER**  
**PART NUMBER: B00351BGR**

|                     |                                      |                            |
|---------------------|--------------------------------------|----------------------------|
| SIZE<br><b>A</b>    | DRAWING NO.<br><b>WWMH-B00351BGR</b> | REV<br><b>0</b>            |
| SCALE<br><b>1/6</b> | DRAWN<br><b>RC</b>                   | DATE<br><b>2/5/2025</b>    |
|                     |                                      | SHEET <b>1</b> OF <b>1</b> |