

DEPLOYED VIEW  
SCALE 1 : 16



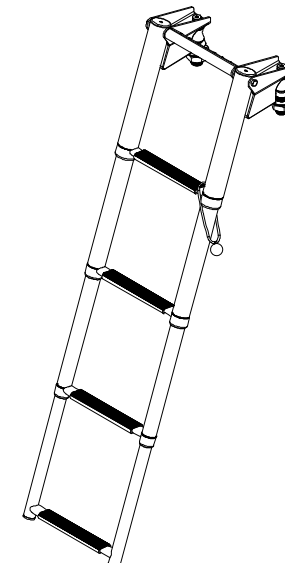
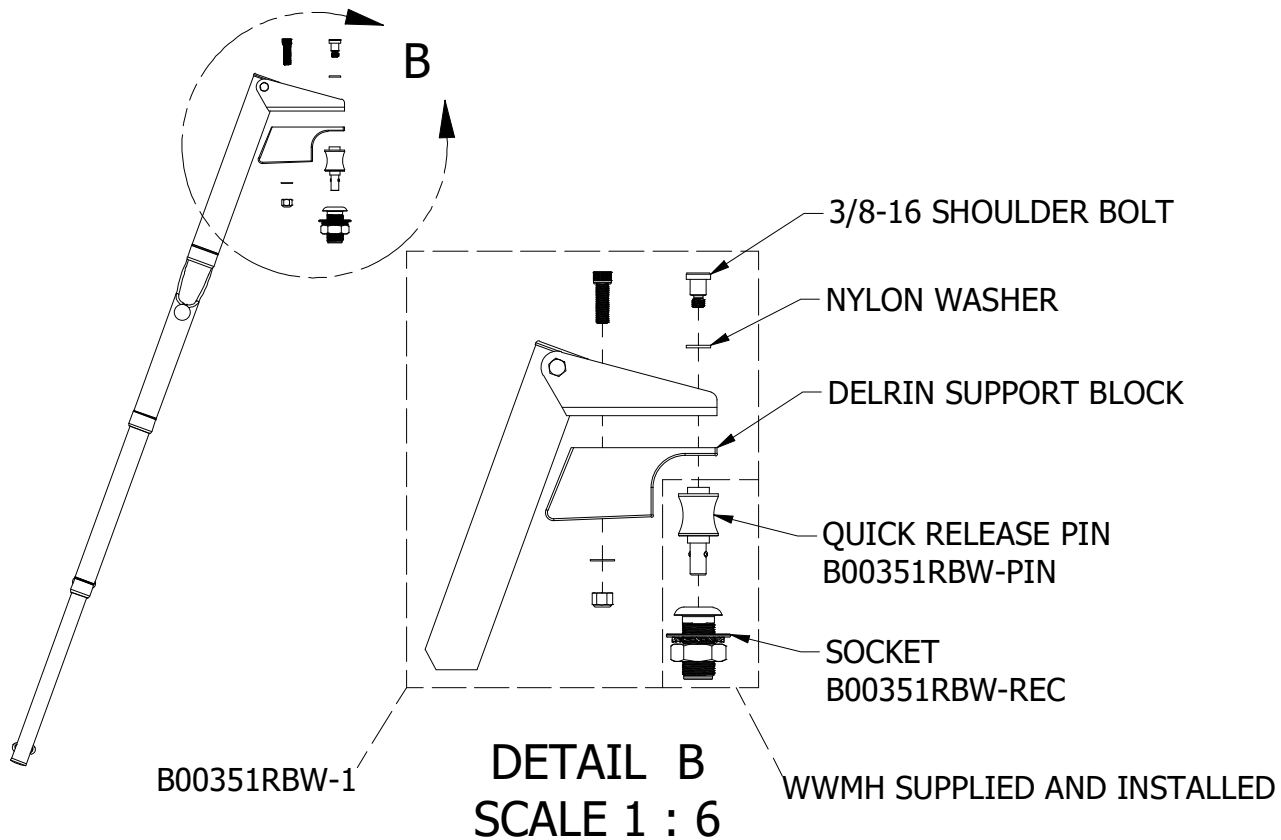
**WHITE WATER**  
MARINE HARDWARE

TITLE

SOCKET MOUNT LADDER, 4 STEP  
PART NUMBER: B00351RBW (RD177)

**PROPRIETARY AND CONFIDENTIAL**  
THE INFORMATION CONTAINED IN THIS  
DRAWING IS THE SOLE PROPERTY OF WHITE  
WATER MARINE HARDWARE. ANY REPRODUCTION  
IN PART OR AS A WHOLE WITHOUT WRITTEN  
PERMISSION IS PROHIBITED.

SIZE <b>A</b>	DRAWING NO. <b>WWMH-B00351RBW</b>	REV <b>0</b>
SCALE <b>1 : 6</b>	DRAWN <b>KSR</b>	DATE <b>11/2/2023</b>
		SHEET <b>1</b> OF <b>2</b>



DEPLOYED VIEW  
SCALE 1 : 16



**WHITE WATER**  
MARINE HARDWARE

TITLE  
SOCKET MOUNT LADDER, 4 STEP  
PART NUMBER: B00351RBW (RD177)

**PROPRIETARY AND CONFIDENTIAL**  
THE INFORMATION CONTAINED IN THIS  
DRAWING IS THE SOLE PROPERTY OF WHITE  
WATER MARINE HARDWARE. ANY REPRODUCTION  
IN PART OR AS A WHOLE WITHOUT WRITTEN  
PERMISSION IS PROHIBITED.

SIZE <b>A</b>	DRAWING NO. <b>WWMH-B00351RBW</b>	REV <b>0</b>
SCALE <b>1: 12</b>	DRAWN <b>KSR</b>	DATE <b>11/2/2023</b>
		SHEET <b>2</b> OF <b>2</b>