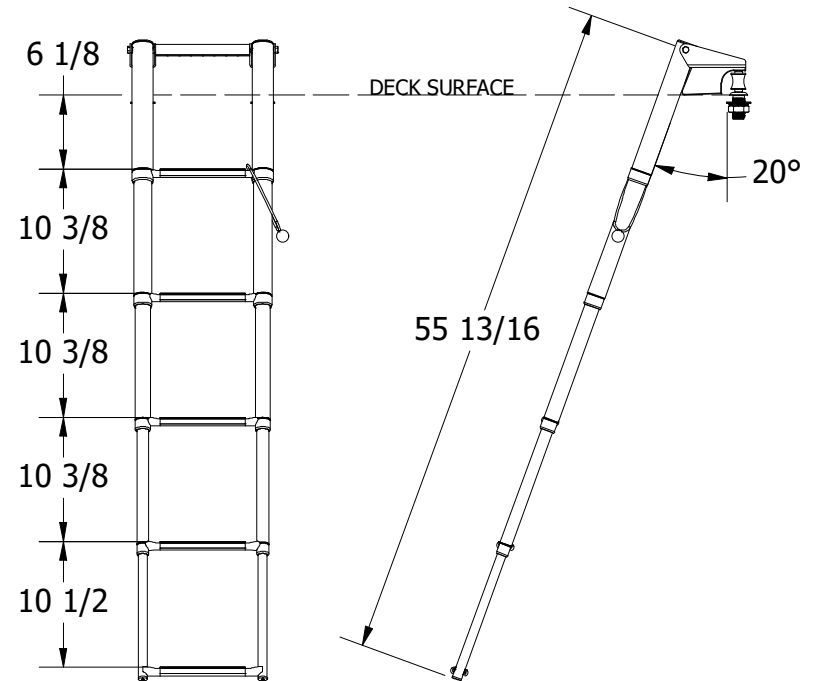
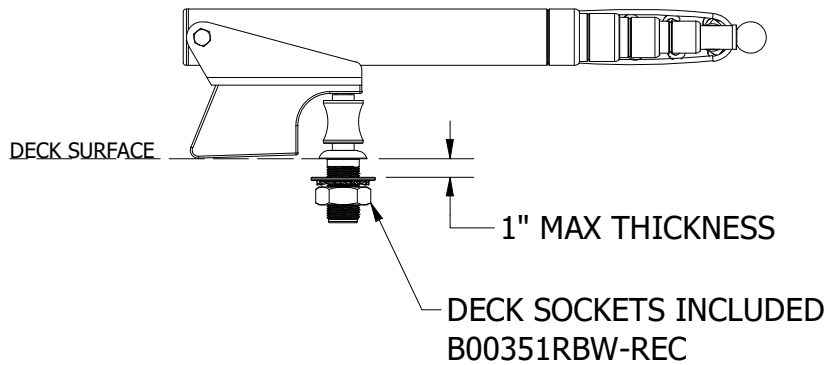
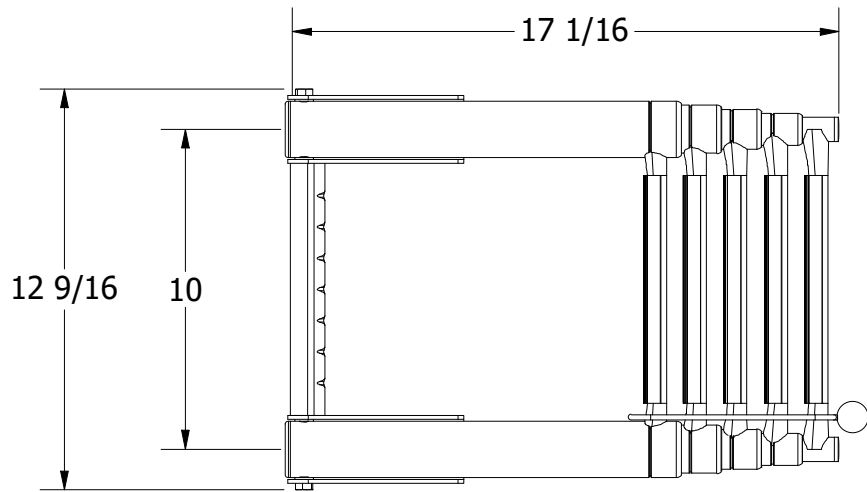


REVISION HISTORY		
REV	DESCRIPTION	DATE
1	DEPLOY ANGLE WAS 30DEG MAX DECK THICKNESS WAS 1/2" SEE ECN 1003 FOR MORE DETAIL	2/9/24



DEPLOYED VIEW
SCALE 1 : 16



WHITE WATER
MARINE HARDWARE

TITLE			
304SS REMOVABLE BOW LADDER, 5 STEP			
PART NUMBER: B00355RBW			
SIZE	DWG NO	REV	
A	WWMH-B00355RBW CC	1	
SCALE	MATERIAL	SHEET 1 OF 1	
1 : 6			