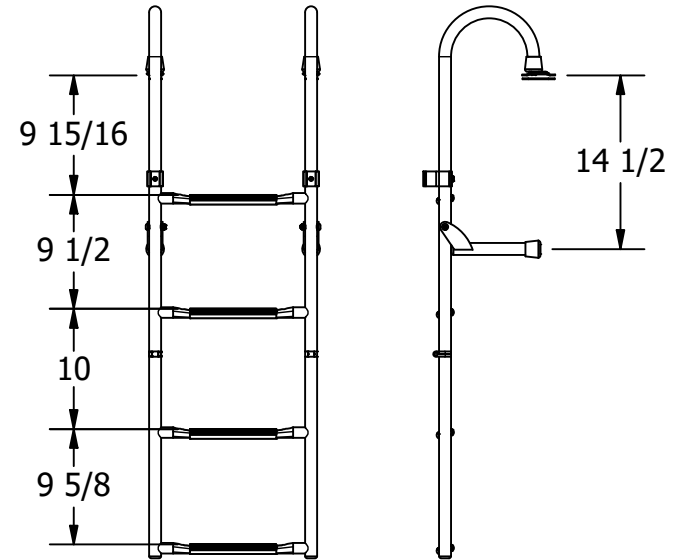
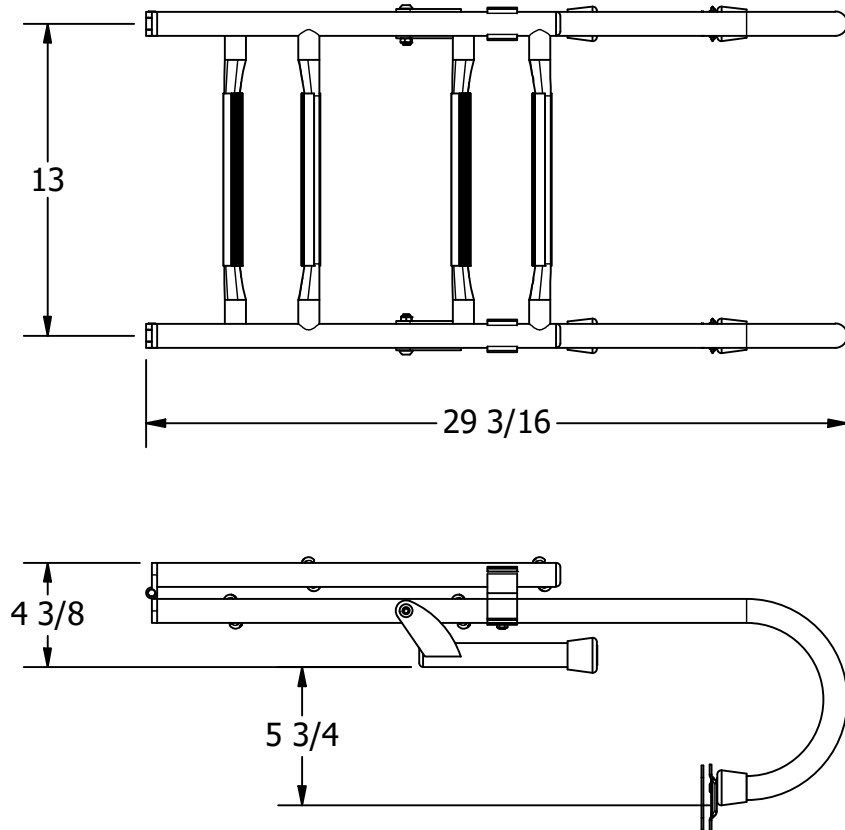



FOR REFERENCE ONLY



DEPLOYED VIEW
SCALE 1 : 16

| | | | |
|---|----------|---|----------|
|  | | WHITE WATER MARINE HARDWARE | |
| | | TITLE GUNWALE MOUNTED REMOVABLE LADDER PART NUMBER: B00365 | |
| SIZE A | | DWG NO WWMH-B00365 CC | REV 0 |
| SCALE 1 : 8 | MATERIAL | SHEET 1 OF 1 | |