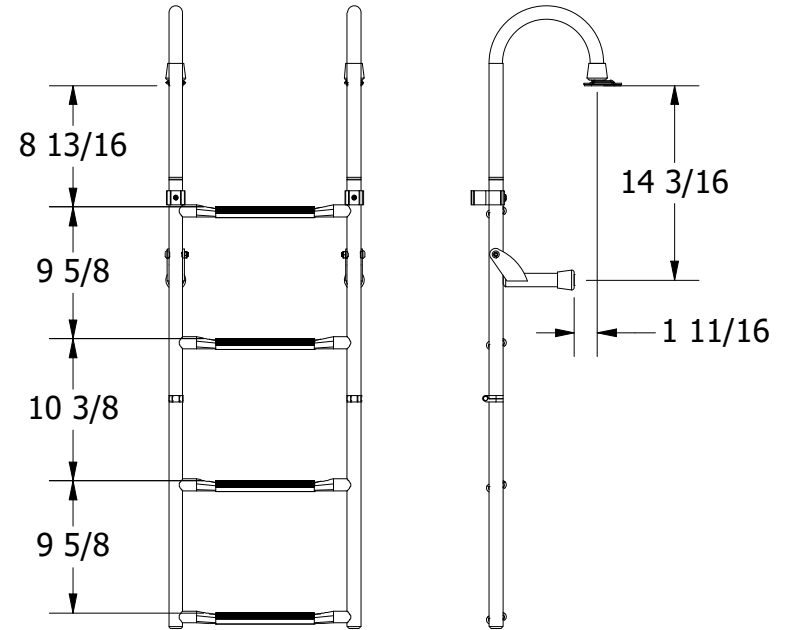
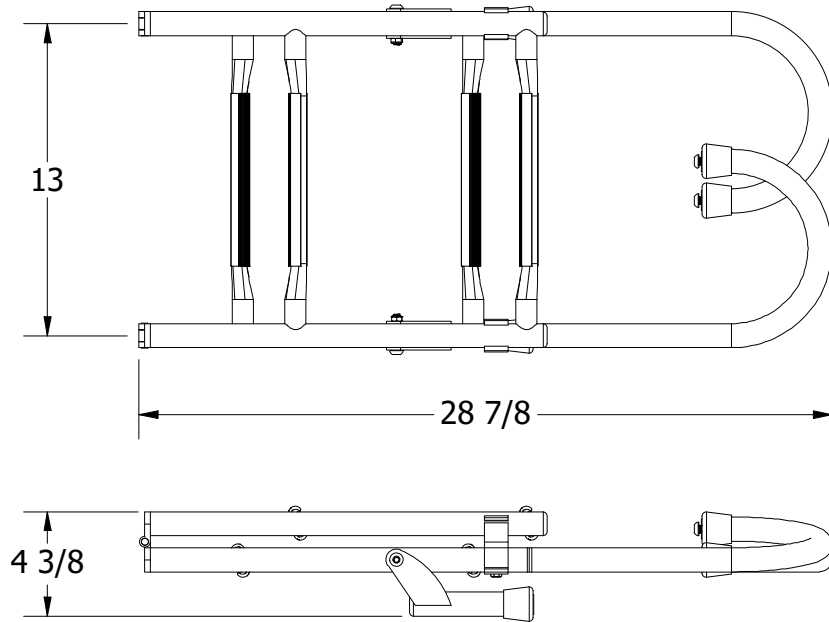
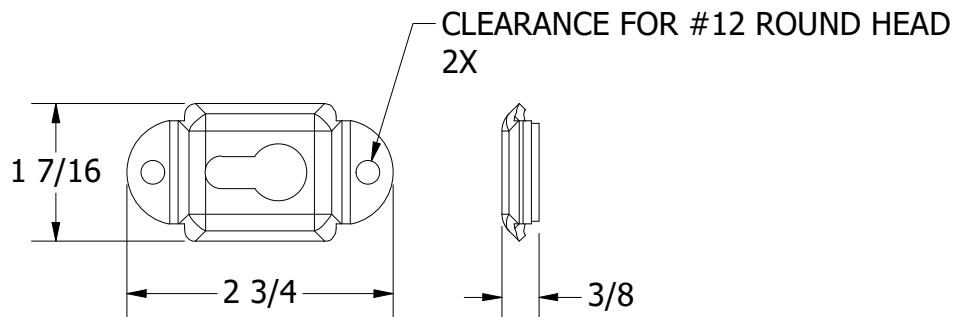


NOTES:

1. MATERIAL: 304SS
2. FINISH: HIGH POLISH



DEPLOYED VIEW  
SCALE 1 : 14



MOUNT DETAIL  
SCALE 1 : 2

		<b>WHITE WATER</b> MARINE HARDWARE	
		TITLE FOLDING GUNWALE LADDER, 4 STEP, STOWS FLAT PART NUMBER: B00368	
SIZE	DRAWING NO.		REV
A	WWMH-B00368		0
SCALE	DRAWN	DATE	SHEET 1 OF 1
1 : 8	KSR	7/8/2024	

**PROPRIETARY AND CONFIDENTIAL**  
 THE INFORMATION CONTAINED IN THIS  
 DRAWING IS THE SOLE PROPERTY OF WHITE  
 WATER MARINE HARDWARE. ANY REPRODUCTION  
 IN PART OR AS A WHOLE WITHOUT WRITTEN  
 PERMISSION IS PROHIBITED.