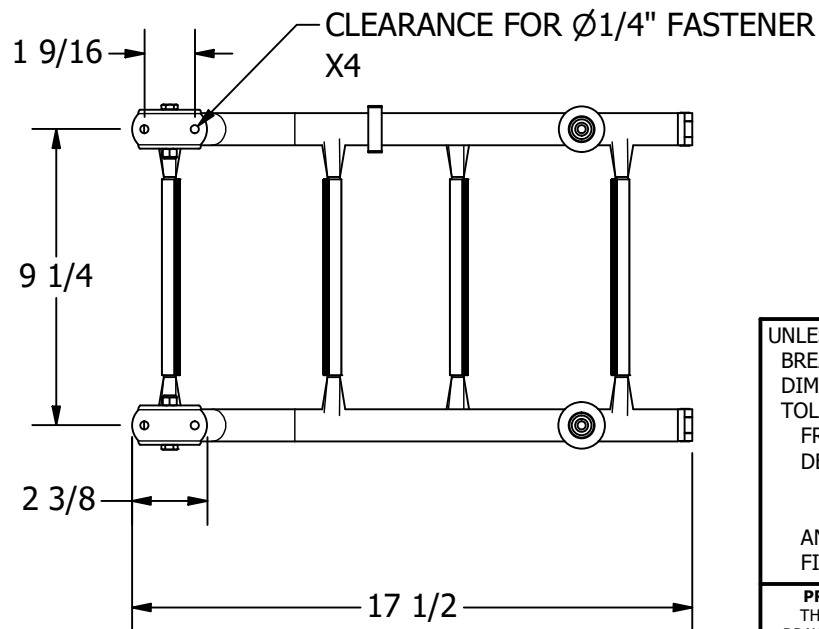
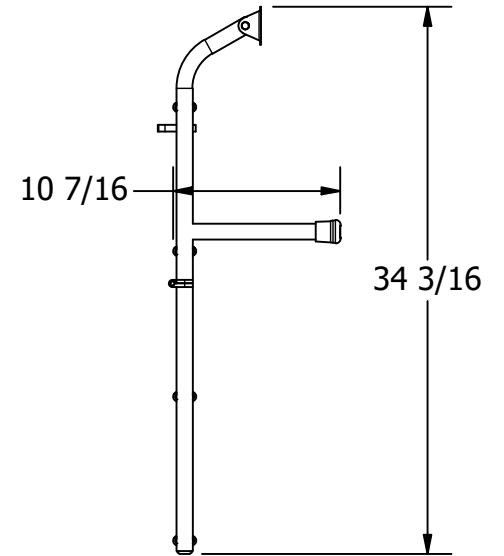
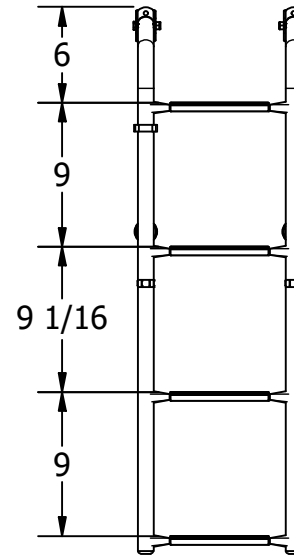
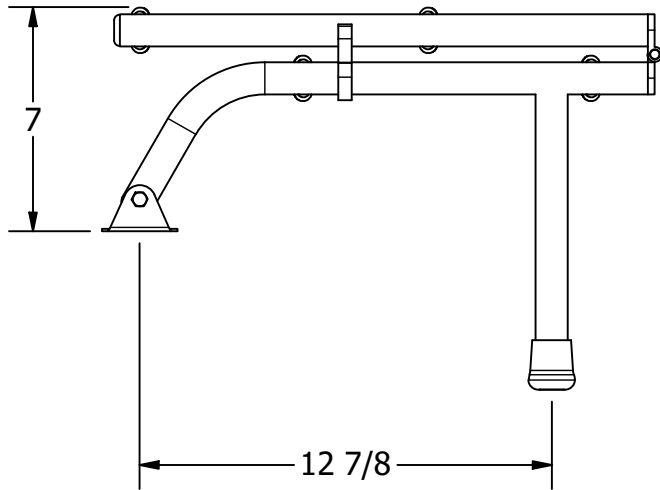



FOR REFERENCE ONLY



DEPLOYED VIEW
SCALE 1/12

UNLESS OTHERWISE SPECIFIED:
BREAK ALL SHARP EDGES
DIMENSIONS ARE IN INCHES
TOLERANCES:
FRACTIONAL: $\pm 1/16$
DECIMAL: X.X $\pm .05$
 X.XX $\pm .01$
 X.XXX $\pm .005$
ANGULAR: $\pm 1^\circ$
FINISH: 120Ra

PROPRIETARY AND CONFIDENTIAL
THE INFORMATION CONTAINED IN THIS
DRAWING IS THE SOLE PROPERTY OF WHITE
WATER MARINE HARDWARE. ANY REPRODUCTION
IN PART OR AS A WHOLE WITHOUT WRITTEN
PERMISSION IS PROHIBITED.

		WHITE WATER MARINE HARDWARE	
		TITLE TRANSOM FOLDING LADDER PART NUMBER: B00361-L9	
SIZE	DRAWING NO.		REV
A	WWMH-B00361-L9		0
SCALE	DRAWN	DATE	SHEET 1 OF 1
1/12	RC	11/6/2024	