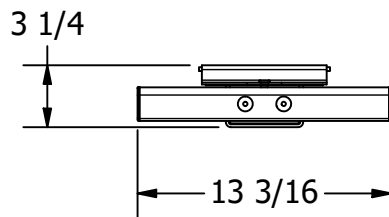
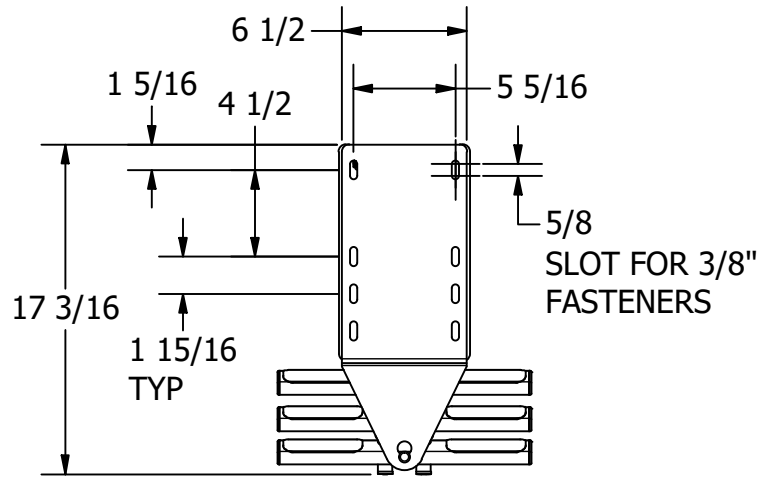
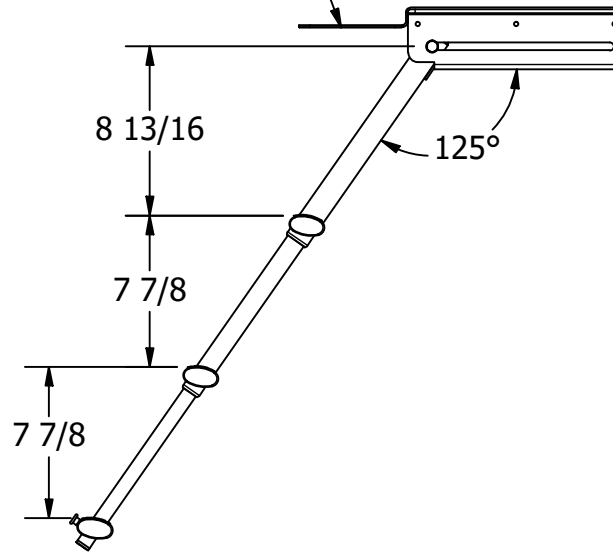


FOR REFERENCE ONLY

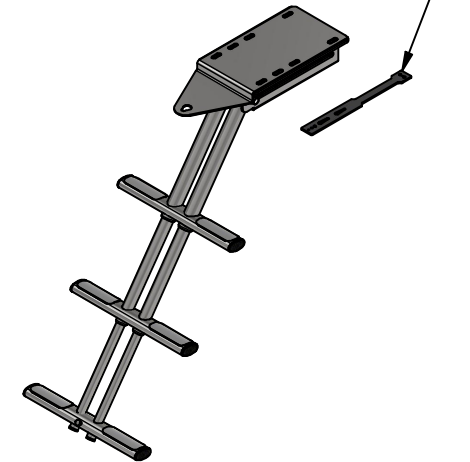
REVISION HISTORY		
REV	DESCRIPTION	DATE
1	ADD PAD, DEPLOY ANGLE WAS 130DEG	2/16/22
2	ADD RUBBER STRAP, ECN1026	11/14/24




ADHESIVE BACKED PAD
PN: AM1303UPM-ABP



RUBBER STRAP
PN: AMB6



SCALE 1 : 16

		WHITE WATER MARINE HARDWARE	
		TITLE UNDER PLATFORM DIVE LADDER, 3 STEP PART NUMBER: AM1303UPM-316	
SIZE A	DWG NO WWMH-AM1303UPM-316 CC	REV 2	
SCALE 1 : 10	MATERIAL	SHEET 1 OF 1	