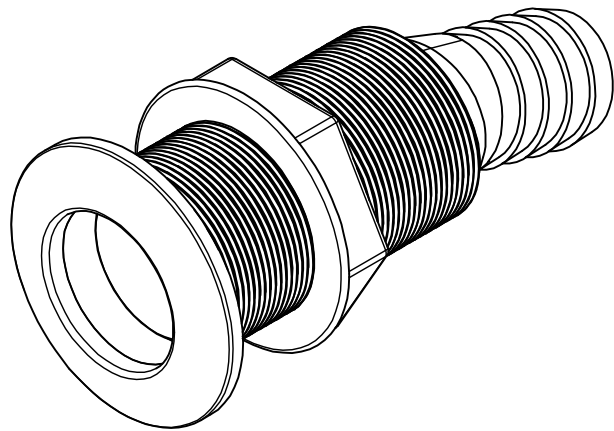


SECTION A-A
SCALE 3 / 4



UNLESS OTHERWISE SPECIFIED:
BREAK ALL SHARP EDGES
DIMENSIONS ARE IN INCHES
TOLERANCES:
FRACTIONAL: $\pm 1/16$
DECIMAL: X.X $\pm .05$
 X.XX $\pm .03$
 X.XXX $\pm .010$
ANGULAR: $\pm 3^\circ$
FINISH: 120Ra

PROPRIETARY AND CONFIDENTIAL
THE INFORMATION CONTAINED IN THIS
DRAWING IS THE SOLE PROPERTY OF WHITE
WATER MARINE HARDWARE. ANY REPRODUCTION
IN PART OR AS A WHOLE WITHOUT WRITTEN
PERMISSION IS PROHIBITED.



WHITE WATER
MARINE HARDWARE

TITLE
15 DEG NYLON THRU HULL SCUPPER W/ SS TRIM
PART NUMBER: 6656N15-SCP

SIZE A	DRAWING NO. WWMH-6656N15-SCP	REV 0
SCALE 3 / 4	DRAWN RC	DATE 4/22/2026
		SHEET 1 OF 1