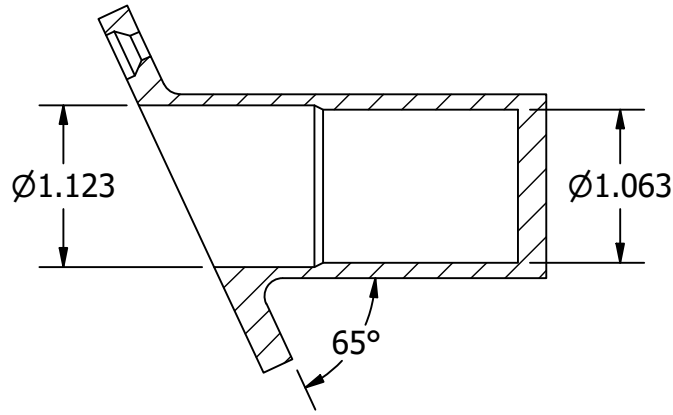
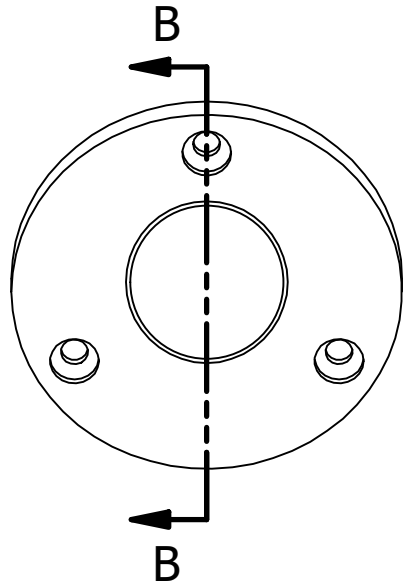
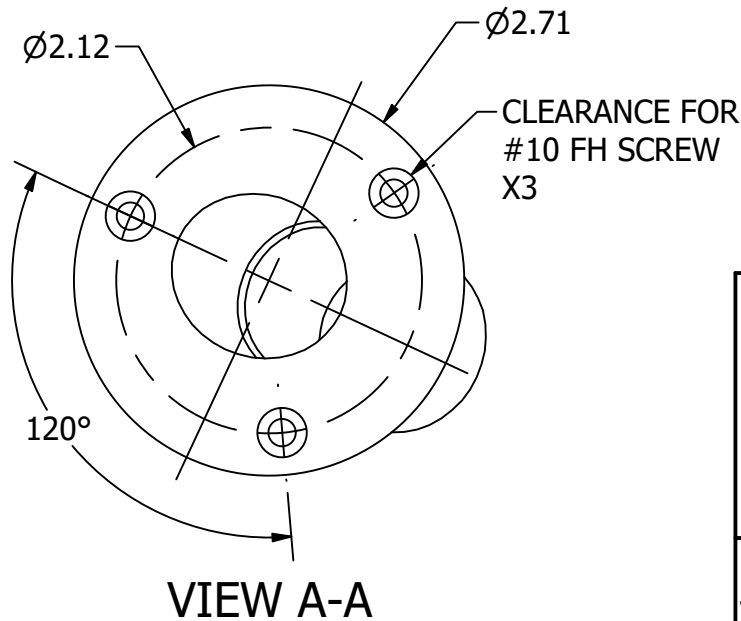
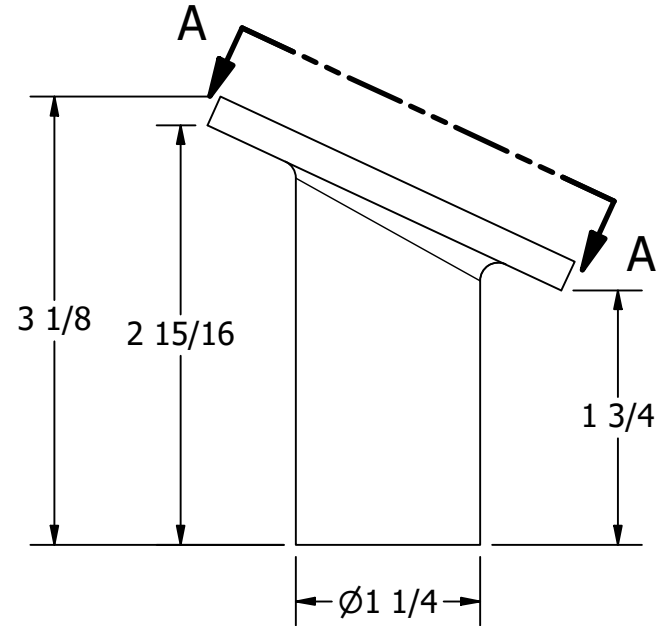


NOTES

1. MATERIAL: 316 SS
2. FINISH: HIGH POLISH




SECTION B-B



VIEW A-A

UNLESS OTHERWISE SPECIFIED:
 BREAK ALL SHARP EDGES
 DIMENSIONS ARE IN INCHES
 TOLERANCES:
 FRACTIONAL: $\pm 1/16$
 DECIMAL: X.X $\pm .05$
 X.XX $\pm .03$
 X.XXX $\pm .010$
 ANGULAR: $\pm 3^\circ$
 FINISH: 120Ra

PROPRIETARY AND CONFIDENTIAL
 THE INFORMATION CONTAINED IN THIS
 DRAWING IS THE SOLE PROPERTY OF WHITE
 WATER MARINE HARDWARE. ANY REPRODUCTION
 IN PART OR AS A WHOLE WITHOUT WRITTEN
 PERMISSION IS PROHIBITED.

		WHITE WATER MARINE HARDWARE	
		TITLE FLAGPOLE SOCKET FLUSH MOUNT PART NUMBER: 6143S	
SIZE A	DRAWING NO. WWMH-6143S		REV 0
SCALE 3 : 4	DRAWN RC	DATE 4/22/2026	SHEET 1 OF 1