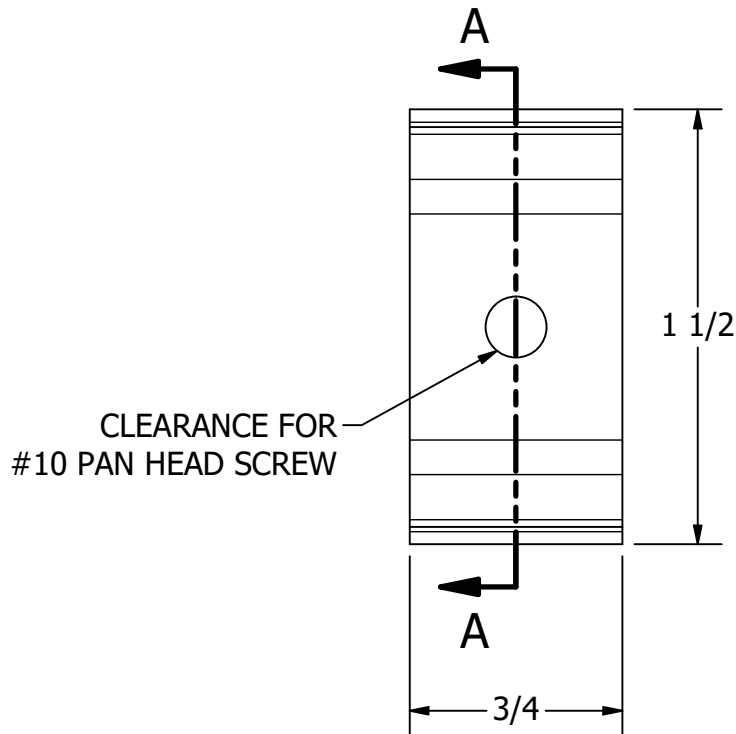


SECTION A-A



UNLESS OTHERWISE SPECIFIED:
 BREAK ALL SHARP EDGES
 DIMENSIONS ARE IN INCHES
 TOLERANCES:
 FRACTIONAL: $\pm 1/16$
 DECIMAL: X.X $\pm .05$
 X.XX $\pm .03$
 X.XXX $\pm .010$
 ANGULAR: $\pm 3^\circ$
 FINISH: 120Ra



WHITE WATER
 MARINE HARDWARE

TITLE
WALL-MOUNTED LADDER STORAGE CLIPS
PART NUMBER: AM-CLIP1

PROPRIETARY AND CONFIDENTIAL
 THE INFORMATION CONTAINED IN THIS
 DRAWING IS THE SOLE PROPERTY OF WHITE
 WATER MARINE HARDWARE. ANY REPRODUCTION
 IN PART OR AS A WHOLE WITHOUT WRITTEN
 PERMISSION IS PROHIBITED.

SIZE A	DRAWING NO. WWMH-AM-CLIP1	REV 0
SCALE 3 : 2	DRAWN RC	DATE 4/28/2026
		SHEET 1 OF 1