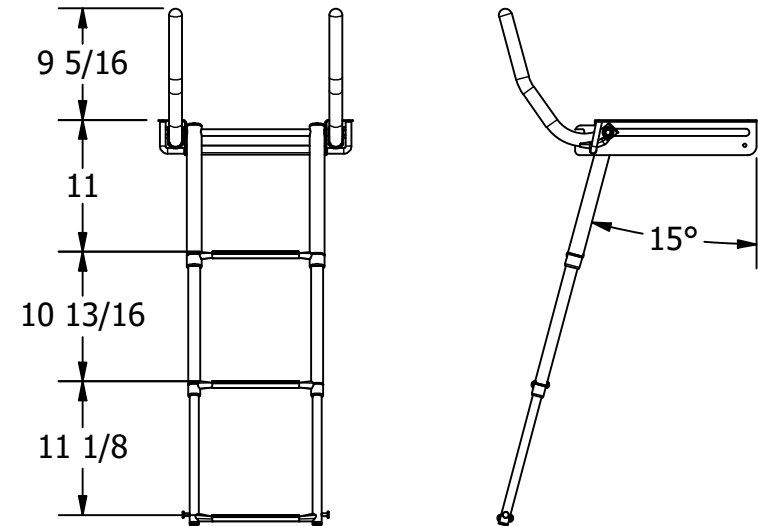
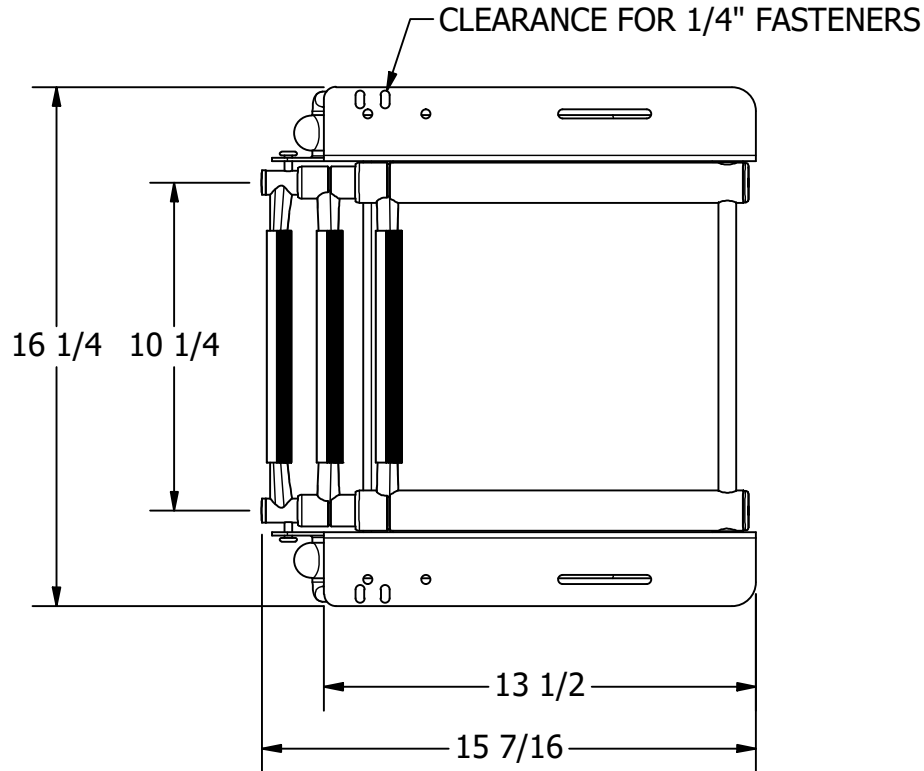
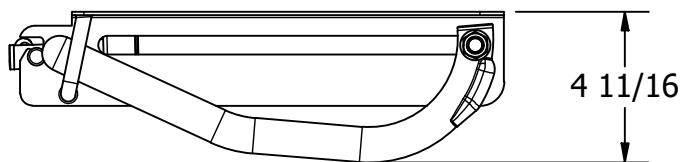


FOR REFERENCE ONLY


REVISION HISTORY		
REV	DESCRIPTION	DATE
1	ADD HEAD TO LATCH PIN ECN1016	8/21/24



DEPLOYED VIEW
SCALE 1 : 16



STOWED VIEW

		WHITE WATER MARINE HARDWARE	
TITLE UNDER PLATFORM LADDER W/ FOLD OUT GRAB RAIL PART NUMBER: B00301UFG			
SIZE	DRAWING NO.		REV
A	WWMH-B00301UFG CC		1
SCALE	DRAWN	DATE	SHEET 1 OF 1
1 : 6	KSR	11/15/2022	

PROPRIETARY AND CONFIDENTIAL
 THE INFORMATION CONTAINED IN THIS
 DRAWING IS THE SOLE PROPERTY OF WHITE
 WATER MARINE HARDWARE. ANY REPRODUCTION
 IN PART OR AS A WHOLE WITHOUT WRITTEN
 PERMISSION IS PROHIBITED.