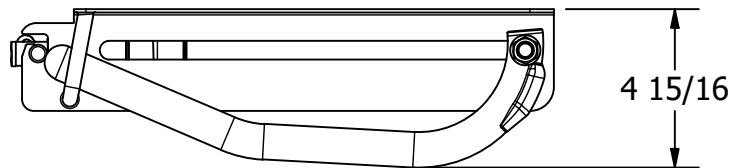
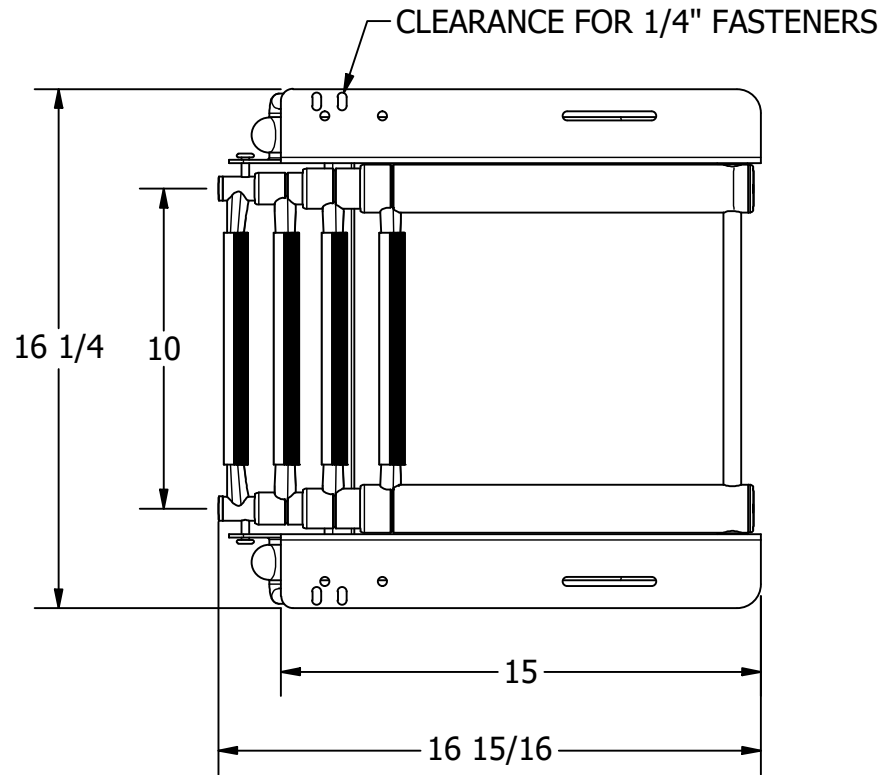
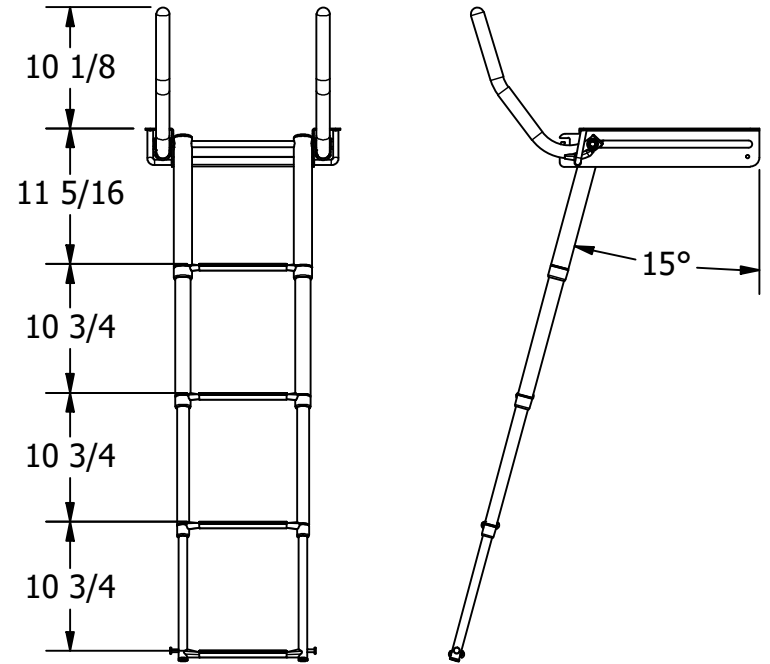


NOTES:


1. MATERIAL: 316SS
2. FINISH: HIGH POLISH



STOWED VIEW



DEPLOYED VIEW  
SCALE 1 : 16

		<b>WHITE WATER</b> MARINE HARDWARE	
		TITLE UNDER PLATFORM LADDER W/ FOLD OUT GRAB RAIL PART NUMBER: B00351UFG (RD244)	
SIZE	DRAWING NO.	REV	
A	WWMH-B00351UFG	0	
SCALE	DRAWN	DATE	SHEET 1 OF 1
1 : 6	KSR	5/7/2025	

**PROPRIETARY AND CONFIDENTIAL**  
 THE INFORMATION CONTAINED IN THIS DRAWING IS THE SOLE PROPERTY OF WHITE WATER MARINE HARDWARE. ANY REPRODUCTION IN PART OR AS A WHOLE WITHOUT WRITTEN PERMISSION IS PROHIBITED.