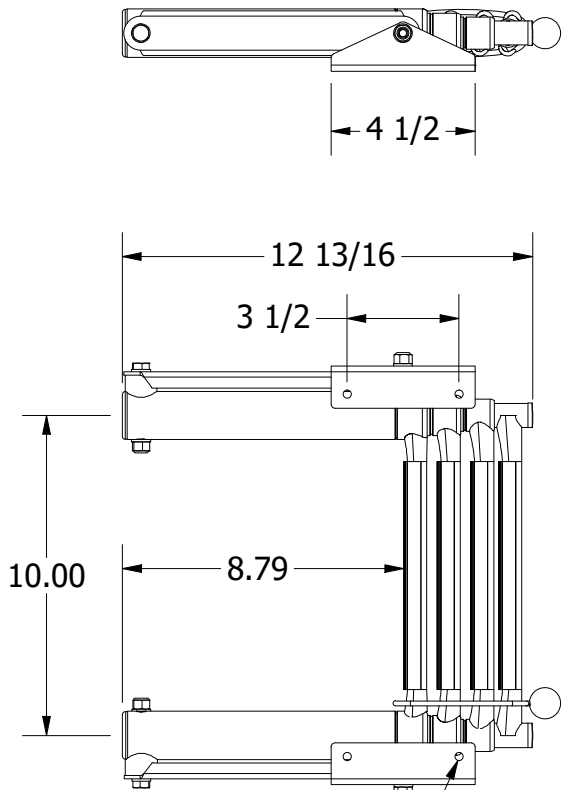
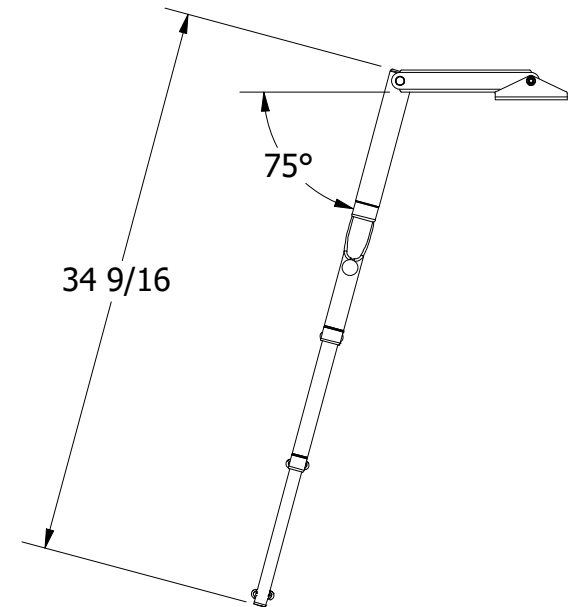
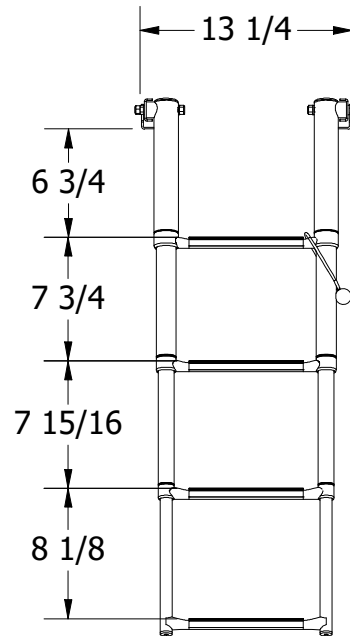


NOTE:

1. MATERIAL:
304SS(B00351BBD)
316SS(B00351BBD-316)
2. HIGH POLISH FINISH



$\phi.25$
 CLEARANCE FOR
 1/4" OR #16 FASTENER
 X4
STOWED
SCALE 1 : 6



DEPLOYED
SCALE 1 : 12

UNLESS OTHERWISE SPECIFIED:
 BREAK ALL SHARP EDGES
 DIMENSIONS ARE IN INCHES
 TOLERANCES:
 FRACTIONAL: $\pm 1/16$
 DECIMAL: X.X $\pm .05$
 X.XX $\pm .01$
 X.XXX $\pm .005$
 ANGULAR: $\pm 1^\circ$
 FINISH: 120Ra

PROPRIETARY AND CONFIDENTIAL
 THE INFORMATION CONTAINED IN THIS
 DRAWING IS THE SOLE PROPERTY OF WHITE
 WATER MARINE HARDWARE. ANY REPRODUCTION
 IN PART OR AS A WHOLE WITHOUT WRITTEN
 PERMISSION IS PROHIBITED.



WHITE WATER
 MARINE HARDWARE

TITLE
SS FOLD OUT OVER PLATFORM TELESCOPING LADDER
PART NUMBER: B00351BBD & B00351BBD-316

SIZE A	DRAWING NO. WWMH-B00351BBD	REV 0
SCALE 1 : 6	DRAWN RC	DATE 8/28/2024
		SHEET 1 OF 1