



# Order Form | Low Profile Deck Hatch

WWMH Catalog 30, Pg. 86 – 94

Qty: \_\_\_\_\_

Lead Time: 90 to 120 Days.

In stock models available from LDH-08-I to size LDH-60-I

Low Profile LDH Shape:            Rectangular/Square            Round            Half Moon

Cut-Out Size (Pg. 87):

Length (or Diameter) A: \_\_\_\_\_ mm or inch

Width B: \_\_\_\_\_ mm or inch

Deck Hatch Opening (Pg. 88):

Inside, inside handles only

Outside, inside + outside handles

Double, inside handles only with 2 set of hinges to switch opening direction

Friction Hinges (Pg. 88 Hatch Arms vs Pg. 89 Friction):

*The standard hatches come with hatch arms and no friction hinges.*

*Round and Half Moon shapes must check Yes, Friction Hinge is standard.*

No (Standard)

Yes

Acrylic Tint (Pg. 92):            Smoked (Standard)            Clear            Green

Deck Hatch Handle (Pg. 93):

Nylon Handle (Standard)

Stainless Handle

Name: \_\_\_\_\_

Date: \_\_\_\_\_

Comments:

Inquire if interested: White Powder-coating or Titanium Plating

For any non-standard options or upgrades, we will list those costs as separate line items in the quote. We will give a final drawing for custom deck hatches if the quote is accepted.

Office: 1.855.215.4211

Email: info@MarineDepotDirect.com

### Stainless Deck Hatches



### Custom Capabilities



## Low Profile Deck Hatch

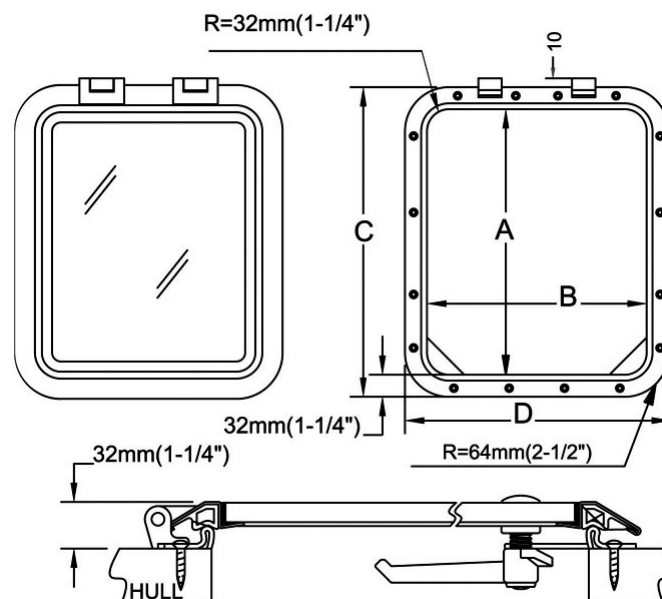


### Features

- 316 Stainless Steel Formed For High Grade Strength And Corrosion Resistance
- Low Profile 1-1/4" Height
- Full Range Of Motion 180 Degree Opening
- CE Approved For Standard Sizes Listed In Table
- According To ISO/DIS 12216, Approved For Area II, III, And IV For Craft Type "Any"
- Tough, UV Resistant 1/2" Acrylic
- Sanplane Gasket Is Oil Resistant And Weather Resistant
- Hinges Are Adjustable By Tightening Set Screw Providing More/Less Tension On The Hinge

### Standard Specs

- 316 Stainless Steel Formed
- High Polish Finish
- Smoked Acrylic
- Adjustable Hatch Arms



## Low Profile Inside Opening | LDH-I



### Inside Opening

PART NO.	CUT-OUT SIZE		OVERALL SIZE		ACRYLIC THICKNESS
	A	B	C	D	
LDH-08-I	8-1/8"	13-3/4"	10-5/8"	16-1/4"	1/2"
LDH-10-I	10"	10"	12-1/2"	12-1/2"	1/2"
LDH-20-I	12-1/2"	17-1/2"	15"	20"	1/2"
LDH-30-I	14-1/2"	19-1/2"	17"	22"	1/2"
LDH-40-I	16-1/2"	16-1/2"	19"	19"	1/2"
LDH-50-I	19-1/2"	19-1/2"	22"	22"	1/2"
LDH-60-I	24"	24"	26-1/2"	26-1/2"	1/2"
LDH-70-I	31"	31"	33-1/2"	33-1/2"	1/2"

## Low Profile Outside Opening | LDH-O



### Outside Opening

PART NO.	CUT-OUT SIZE		OVERALL SIZE		ACRYLIC THICKNESS
	A	B	C	D	
LDH-08-O	8-1/8"	13-3/4"	10-5/8"	16-1/4"	1/2"
LDH-10-O	10"	10"	12-1/2"	12-1/2"	1/2"
LDH-20-O	12-1/2"	17-1/2"	15"	20"	1/2"
LDH-30-O	14-1/2"	19-1/2"	17"	22"	1/2"
LDH-40-O	16-1/2"	16-1/2"	19"	19"	1/2"
LDH-50-O	19-1/2"	19-1/2"	22"	22"	1/2"
LDH-60-O	24"	24"	26-1/2"	26-1/2"	1/2"
LDH-70-O	31"	31"	33-1/2"	33-1/2"	1/2"

## Low Profile Double Opening | LDH-D



### Double Opening

PART NO.	CUT-OUT SIZE		OVERALL SIZE		ACRYLIC THICKNESS
	A	B	C	D	
LDH-50-D	19-1/2"	19-1/2"	22"	22"	1/2"
LDH-60-D	24"	24"	26-1/2"	26-1/2"	1/2"
LDH-70-D	31"	31"	33-1/2"	33-1/2"	1/2"

## Low Profile Friction Hinge Deck Hatch

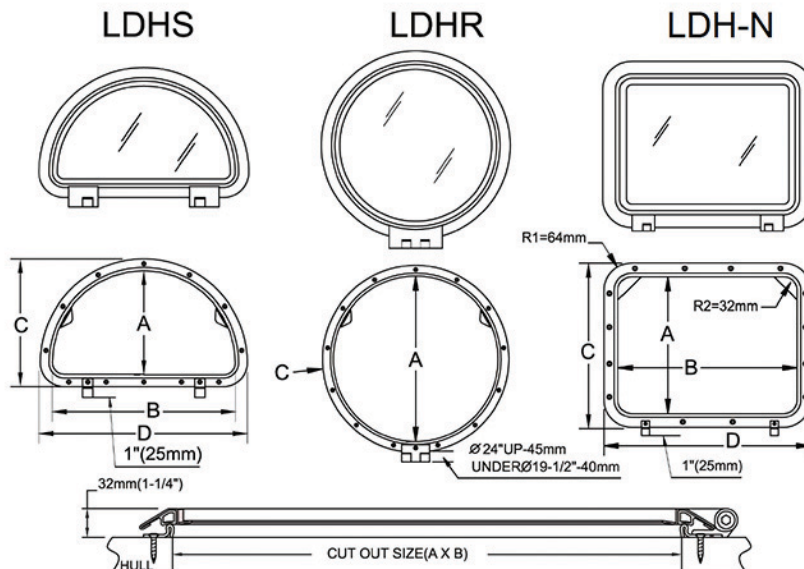


### Features

- Patented Friction Hinge Design For A More Elegant Look, Eliminating The Need For Hatch Arms
- Friction Hinges Can Be Tightened Over Its Lifetime For Continual Quality Use And Function
- 316 Stainless Steel Formed For High Grade Strength And Corrosion Resistance
- Low Profile 1-1/4" Height
- Full Range Of Motion 180 Degree Opening
- CE Approved For Standard Sizes Listed In Table
- According To ISO/DIS 12216, Approved For Area II, III, And IV For Craft Type "Any"
- Tough, UV Resistant 1/2" Acrylic
- Sanplane Gasket Is Oil Resistant And Weather Resistant

### Standard Specs

- Friction Hinge
- 316 Stainless Steel Formed
- High Polish Finish
- Smoked Acrylic
- Adjustable Hatch Arms



## Friction Rectangular Low Profile | LDH-N



### Inside Opening

PART NO.	CUT-OUT SIZE		OVERALL SIZE		ACRYLIC THICKNESS
	A	B	C	D	
LDH-N08-I	8-1/8"	13-3/4"	10-5/8"	16-1/4"	1/2"
LDH-N10-I	10"	10"	12-1/2"	12-1/2"	1/2"
LDH-N20-I	12-1/2"	17-1/2"	15"	20"	1/2"
LDH-N30-I	14-1/2"	19-1/2"	17"	22"	1/2"
LDH-N40-I	16-1/2"	16-1/2"	19"	19"	1/2"
LDH-N50-I	19-1/2"	19-1/2"	22"	22"	1/2"
LDH-N60-I	24"	24"	26-1/2"	26-1/2"	1/2"
LDH-N70-I	31"	31"	33-1/2"	33-1/2"	1/2"



### Outside Opening

PART NO.	CUT-OUT SIZE		OVERALL SIZE		ACRYLIC THICKNESS
	A	B	C	D	
LDH-N08-O	8-1/8"	13-3/4"	10-5/8"	16-1/4"	1/2"
LDH-N10-O	10"	10"	12-1/2"	12-1/2"	1/2"
LDH-N20-O	12-1/2"	17-1/2"	15"	20"	1/2"
LDH-N30-O	14-1/2"	19-1/2"	17"	22"	1/2"
LDH-N40-O	16-1/2"	16-1/2"	19"	19"	1/2"
LDH-N50-O	19-1/2"	19-1/2"	22"	22"	1/2"
LDH-N60-O	24"	24"	26-1/2"	26-1/2"	1/2"
LDH-N70-O	31"	31"	33-1/2"	33-1/2"	1/2"

## Friction Round Low Profile | LDHR



### Inside Opening

PART NO.	CUT-OUT SIZE A	OVERALL SIZE C	ACRYLIC THICKNESS
LDHR-40-I	16-1/2"	19"	1/2"
LDHR-50-I	19-1/2"	22"	1/2"
LDHR-60-I	24"	26-1/2"	1/2"
LDHR-70-I	31"	33-1/2"	1/2"

### Outside Opening

PART NO.	CUT-OUT SIZE A	OVERALL SIZE C	ACRYLIC THICKNESS
LDHR-40-O	16-1/2"	19"	1/2"
LDHR-50-O	19-1/2"	22"	1/2"
LDHR-60-O	24"	26-1/2"	1/2"
LDHR-70-O	31"	33-1/2"	1/2"

## Friction Half Moon Low Profile | LDHS



### Inside Opening

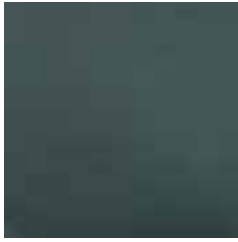
PART NO.	CUT-OUT SIZE		OVERALL SIZE		ACRYLIC THICKNESS
	A	B	C	D	
LDHS-40-I	9-1/2"	16-1/2"	12"	19"	1/2"
LDHS-50-I	11"	19-1/2"	13-1/2"	22"	1/2"
LDHS-60-I	13-1/4"	24"	15-3/4"	26-1/2"	1/2"
LDHS-70-I	16-3/4"	31"	19-1/4"	33-1/2"	1/2"

### Outside Opening

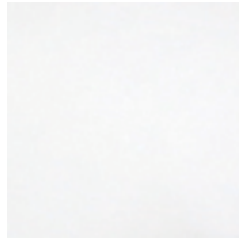
PART NO.	CUT-OUT SIZE		OVERALL SIZE		ACRYLIC THICKNESS
	A	B	C	D	
LDHS-40-O	9-1/2"	16-1/2"	12"	19"	1/2"
LDHS-50-O	11"	19-1/2"	13-1/2"	22"	1/2"
LDHS-60-O	13-1/4"	24"	15-3/4"	26-1/2"	1/2"
LDHS-70-O	16-3/4"	31"	19-1/4"	33-1/2"	1/2"

## Additional Options and Features

### *Acrylic Tint*



Smoked  
(Standard)



Clear



Green

### *Outside Opening Option 1: A 3rd inside only Handle*



- Similar to a dead bolt for a home door

### *Outside Opening Option 2: Extrusion for Pad Lock*



### *Alternative Frame Options*

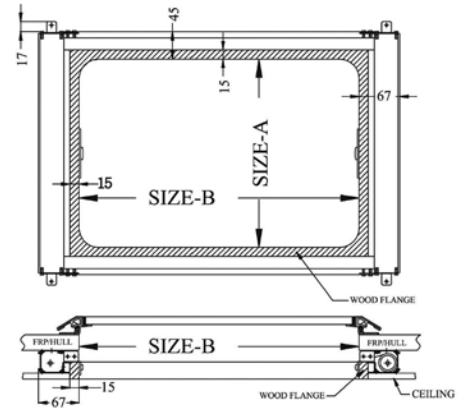
Standard deck hatches are made from 316 stainless steel and high polished. Optional off-white powder coating or titanium gold plating is available.



**Stainless Handle Option**



**Hatch Skyscreen**



**Features**

- Aluminum 6061T5 Frame
- Two Options: Screen Or Fabric
- UV Resistant Screen
- Water-Proof And UV Fabric
- Solar Heat Shield Fabric Reflects 80% Harmful UV Rays
- Helps To Cool The Cabin

**Deck Hatch Accessories / Replacement Parts**

*Handle Assembly*

**HANDLE** For inside / double open hatch



**HANDLE** For in / outside hatch



*Hatch Arms*

**HATCH ARM**



*Hinge Pins*



*Gasket*

