



Order Form | Deck Hatch) = U

WWMH Catalog 30, Pg. 86 – 94

Qty: _____

Lead Time: 90 to 120 Days

Profile 'DH Shape: Rectangular/Square Half Moon

Cut-Out Size (Pg. 87):

Length (or Diameter) A: _____ mm or inch

Width B: _____ mm or inch

Deck Hatch Opening (Pg. 88):

Inside, inside handles only

Outside, inside + outside handles

Double, inside handles only with 2 set of hinges to switch opening direction

Friction Hinges (Pg. 88 Hatch Arms vs Pg. 89 Friction):

The standard hatches come with hatch arms and no friction hinges.

Round and Half Moon shapes must check Yes, Friction Hinge is standard.

No (Standard)

Yes

Acrylic Tint (Pg. 92): Smoked (Standard) Clear Green

Deck Hatch Handle (Pg. 93):

Nylon Handle (Standard)

Stainless Handle

Name: _____

Date: _____

Comments:

Inquire if interested: White Powder-coating or Titanium Plating

For any non-standard options or upgrades, we will list those costs as separate line items in the quote. We will give a final drawing for custom deck hatches if the quote is accepted.

Office: 1.855.215.4211

Email: info@MarineDepotDirect.com

DECK HATCH



FEATURES

- **CE Approved. According to ISO/DIS 12216 Deck Hatches are approved for Area II, III, and IV, designs for craft type "any".**

- 316 stainless steel frames, hatch, hatch arms and hinges. Hand polished and electro-polished to protect against corrosion. Frames and hatches are made from machine rolled stock to ensure strength and low weight.
- Positive easy to operate stainless arms allowing full 180 degree opening with pull-turn knobs to hold hatch open.
- Adjustable injection molded Nylon 66 handles.
- Set screw adjustment in each hinge to adjust the proper pressure against the gasket.
- Tough, UV resistance of acrylics are available in grey (standard), clear and tint green.
- Inside opening, inside/outside opening and double opening available.
- Inside/outside models with 100% Stainless Steel snag free handle.
- Double opening models with quick snap-release dogs and 100% stainless fast pins for easy and quick change of hinge location.
- Gaskets are oil resistant Sanplane.
- Custom Deck Hatches are available.
- Off-white powder coating are available.



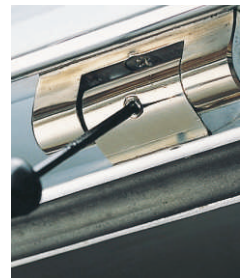
Luxury deck hatch with gas arm just opened to 90 degree



Stainless arm fasten easily



Adjustable handle to ensure tightness



Set screw adjustable in hinge for tightness

INSIDE OPENING



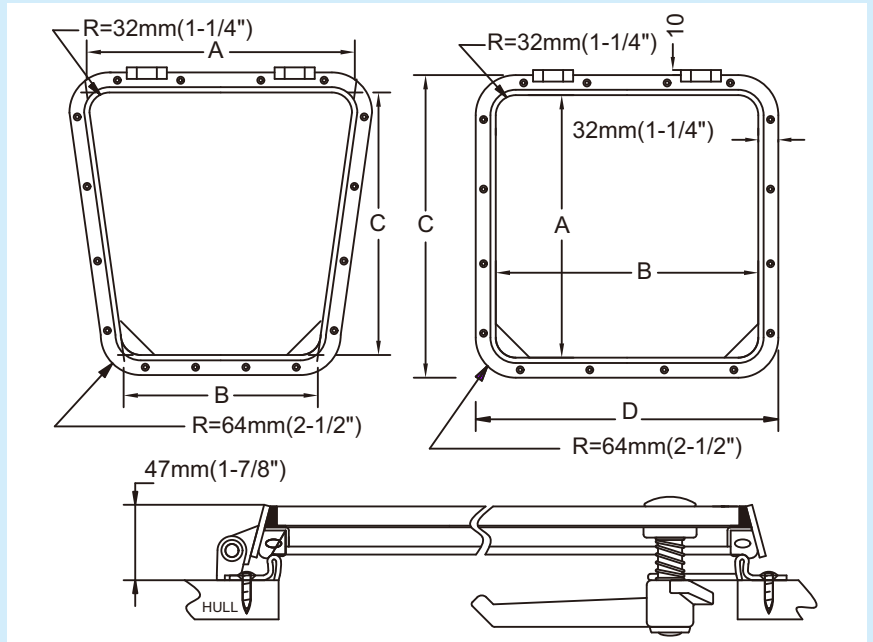
IN/OUTSIDE OPENING



DOUBLE OPENING



ROUND DECK HATCH INSIDE OPENING



- ANY SIZE ARE AVAILABLE, IF R=1¼" (32MM) REMAIN UNCHANGED
- HATCHES SHOULD BE FITTED TO A FLAT SURFACE WITH A MAXIMUM TOLERANCE OF ±2MM.

INSIDE OPENING

| PART No. | SIZE | CUTOUT SIZE | | OVERALL | | ACRYLIC THICKNESS | WEIGHT |
|----------|-----------------|-------------|-----|---------|-----|-------------------|--------|
| | | A | B | C | D | | |
| DH-08-I | 8 1/8 X 13 3/4 | 206 | 349 | 270 | 413 | 5/16 8 | 4.4KG |
| DH-10-I | 10 X 10 | 254 | 254 | 318 | 318 | 5/16 8 | 4.1KG |
| DH-20-I | 12 1/2 X 17 1/2 | 318 | 444 | 382 | 508 | 1/2 12 | 7.6KG |
| DH-30-I | 14 1/2 X 19 1/2 | 369 | 495 | 433 | 559 | 1/2 12 | 9.0KG |
| DH-40-I | 16 1/2 X 16 1/2 | 419 | 419 | 483 | 483 | 1/2 12 | 8.6KG |
| DH-50-I | 19 1/2 X 19 1/2 | 495 | 495 | 559 | 559 | 1/2 12 | 10.8KG |
| DH-60-I | 24 X 24 | 610 | 610 | 674 | 674 | 1/2 12 | 13.8KG |
| DH-70-I | 31 X 31 | 788 | 788 | 852 | 852 | 1/2 12 | 19.8KG |

IN/MM

IN/OUTSIDE OPENING

| PART No. | SIZE | CUTOUT SIZE | | OVERALL | | ACRYLIC THICKNESS | WEIGHT |
|----------|-----------------|-------------|-----|---------|-----|-------------------|--------|
| | | A | B | C | D | | |
| DH-30-O | 14 1/2 X 19 1/2 | 369 | 495 | 433 | 559 | 1/2 12 | 9.2KG |
| DH-40-O | 16 1/2 X 16 1/2 | 419 | 419 | 483 | 483 | 1/2 12 | 8.8KG |
| DH-50-O | 19 1/2 X 19 1/2 | 495 | 495 | 559 | 559 | 1/2 12 | 11KG |
| DH-60-O | 24 X 24 | 610 | 610 | 674 | 674 | 1/2 12 | 14KG |
| DH-70-O | 31 X 31 | 788 | 788 | 852 | 852 | 1/2 12 | 20KG |

*Please indicate inside locking or outside locking or w/o outside locker while ordering.

IN/MM

DOUBLE OPENING

| PART No. | SIZE | CUTOUT SIZE | | OVERALL | | ACRYLIC THICKNESS | WEIGHT |
|----------|-----------------|-------------|-----|---------|-----|-------------------|--------|
| | | A | B | C | D | | |
| DH-50-D | 19 1/2 X 19 1/2 | 495 | 495 | 559 | 559 | 1/2 12 | 12KG |
| DH-60-D | 24 X 24 | 610 | 610 | 674 | 674 | 1/2 12 | 15KG |
| DH-70-D | 31 X 31 | 788 | 788 | 852 | 852 | 1/2 12 | 21KG |

IN/MM

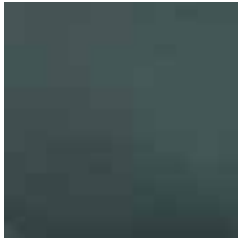
ROUND DECK HATCH INSIDE OPENING

| PART No. | SIZE | CUTOUT SIZE | OVERALL | ACRYLIC THICKNESS | WEIGHT |
|----------|------------|-------------|------------|-------------------|--------|
| | | A | C | | |
| DHR-50-I | 19 1/2 495 | 19 1/2 495 | 22 559 | 1/2 12 | 9KG |
| DHR-60-I | 24 610 | 24 610 | 26 1/2 674 | 1/2 12 | 11.9KG |

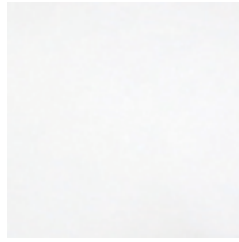
IN/MM

Additional Options and Features

Acrylic Tint



Smoked
(Standard)



Clear



Green

Outside Opening Option 1: A 3rd inside only Handle



- Similar to a dead bolt for a home door

Outside Opening Option 2: Extrusion for Pad Lock



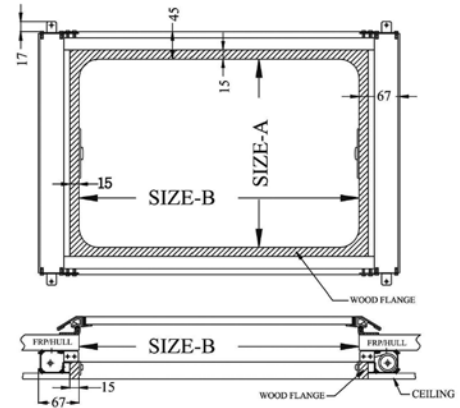
Alternative Frame Options

Standard deck hatches are made from 316 stainless steel and high polished. Optional off-white powder coating or titanium gold plating is available.

Stainless Handle Option



Hatch Skyscreen



Features

- Aluminum 6061T5 Frame
- Two Options: Screen Or Fabric
- UV Resistant Screen
- Water-Proof And UV Fabric
- Solar Heat Shield Fabric Reflects 80% Harmful UV Rays
- Helps To Cool The Cabin

Deck Hatch Accessories / Replacement Parts

Handle Assembly

HANDLE For inside / double open hatch



HANDLE For in / outside hatch



Hatch Arms

HATCH ARM



Hinge Pins



Gasket

